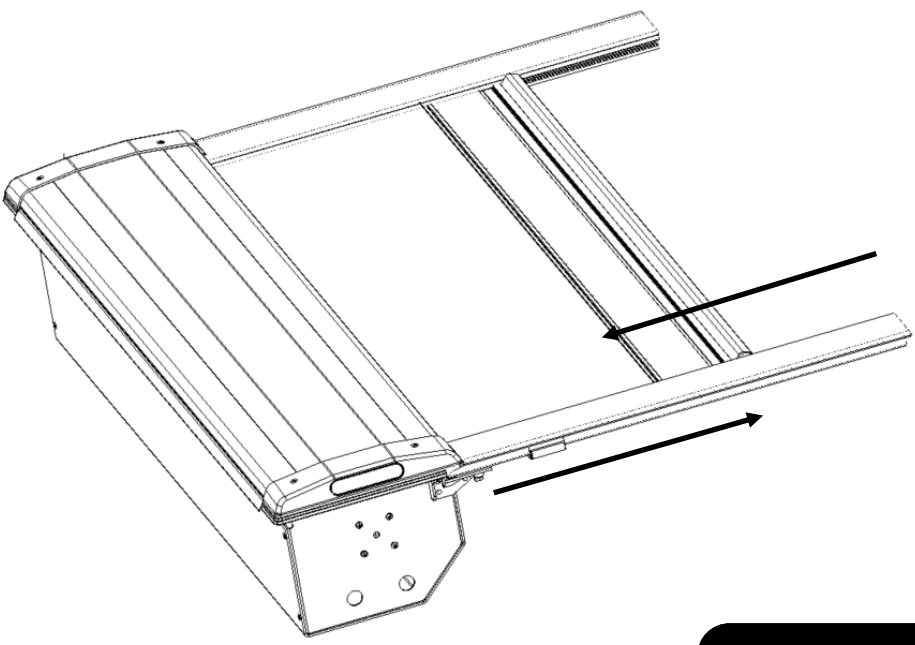




INSTALLATION INSTRUCTIONS

CHEV Silverado/GMC Sierra



©LEER®, A Division of
 Truck Accessory Group, LLC
 28858 Ventura Dr.
 Elkhart, IN 46517

Technical Support:
 (866) 419-4932

For Sales Inquires go to www.LEER.com or
 contact your local LEER dealer.

RLC2-1511

TABLE OF CONTENTS	
Tools Required for Assembly	2
Before You Start	2
Drain Hole Locations.....	2
STEP 1: Remove From Packaging, and Hardware and Packaging Contents	2
STEP 2: Positioning Canister	3
STEP 3: Installing Rails	3
STEP 4: Installing Clamps..	3
STEP 5: Attaching the Pull Strap	4
STEP 6: Lubricating & Placing Sweep Seals	5
STEP 7: Installing Drain Tubes	5
STEP 8: Install Top Cover & Velcro	5
Operating Instructions.....	6
Maintenance	6
Warranty Statement	7

TOOLS REQUIRED FOR ASSEMBLY

7/16" Wrench or Socket

Tape Measure

Side Cut or Needle Nose Pliers

#2 Phillips Screwdriver

Utility Knife

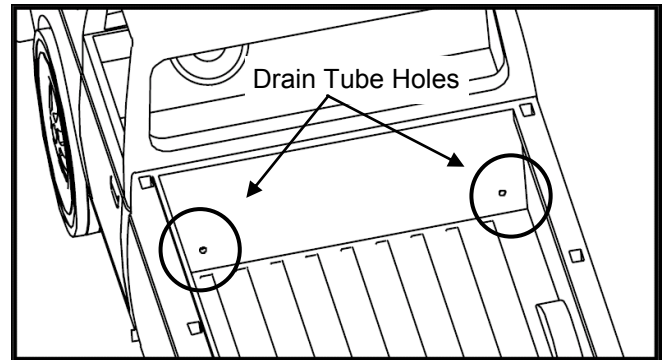
Note: There should be no drilling into the truck body needed on most standard or full-size trucks.

BEFORE YOU START!

Read the instructions carefully before you start. If you have any questions regarding the installation please call our Technical Support Line at: (866) 419-4932

DRAIN HOLE LOCATIONS:

This tonneau cover is designed to carry rainwater from the cover into the canister and then out through the drains. Most truck models have standard OE drain holes or plastic/rubber access ports in the front of the truck bed. Check to make sure your truck has the OE drain holes so that drilling into the sheet metal is not required. If drilling is necessary, be sure to check the underside of the truck bed for the best location. The holes should be located near the side and as far forward as possible. Use a drill bit suitable for sheet metal (such as a taper drill or step drill). Drill drain tube clearance holes at 3/4" (19mm). This will need to be done before installing the cover.



STEP 1: REMOVE FROM PACKAGING AND REVIEW CONTENTS

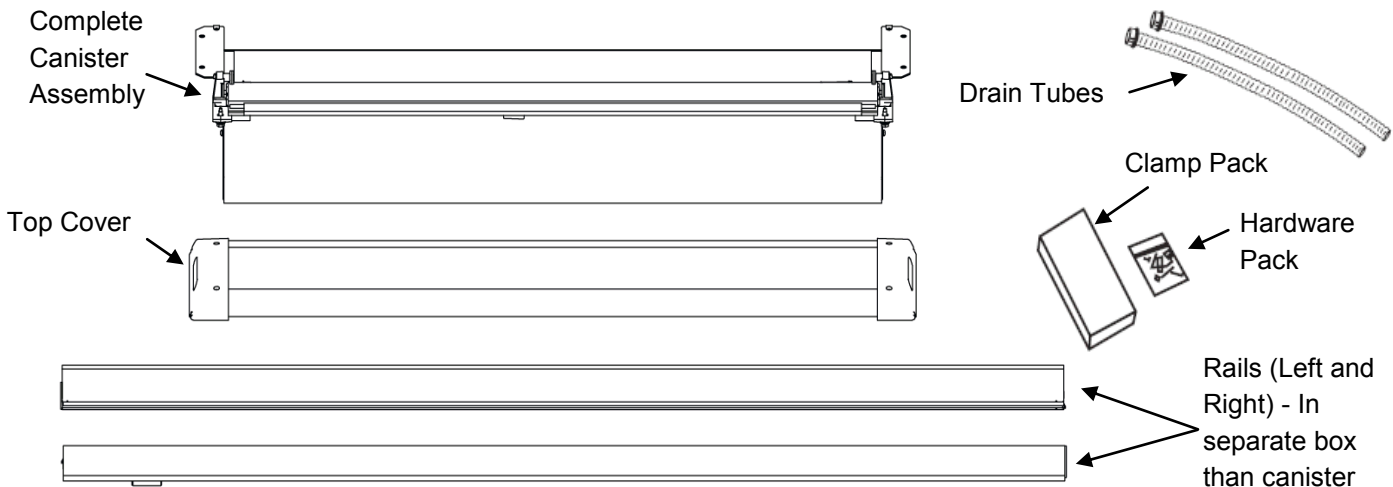
A complete unit will consist of one canister box (marked box 1 of 2) and one rail box (marked box 2 of 2). Remove the Top Cover, Canister, Clamp pack, Hardware pack, and Drain Tubes from the Canister box. Remove the rails from the rail box (see caution below). Perform a quick inventory of the packaging contents to ensure all parts are there.



TO AVOID SCRATCHING THE SURFACE OF THE RAILS, DO NOT SLIDE THEM OUT THE END OF THE BOX. OPEN THE BOX ALONG THE LENGTH, USE PLIERS TO PULL THE STAPLES, LIFT THE RAIL OUT. DO NOT USE A KNIFE TO CUT THE BOX OPEN.



PACKAGING CONTENTS:



STEP 2: POSITIONING CANISTER

Use the Pull Strap and one canister flange to lift and steady the unit. Wrap the Pull Strap around the center of the canister a couple times and double it up in your hand.



FIG. 2A

Place the Canister in truck bed just behind the cab and center it from side to side. **Note:** Ensuring that the canister is centered in the bed will help assemble the rails to canister in the next step.

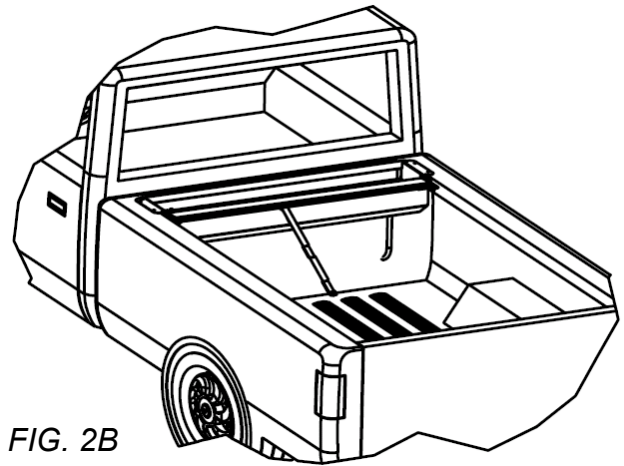


FIG. 2B

STEP 3: INSTALLING RAILS

HARDWARE
USED:



1/4-20 X 1"
RAIL BOLT x 2



1/4" LOCK
WASHER x 2



1/4" FLAT
WASHER x 2

Remove the protective paper from the foam on the underside of the Rail flanges. This is for packaging purposes only. The rails shipped with plastic shims pre-installed to the Rail Brackets for proper spacing. Ensure those shims are in place.

Next identify the left and right side rails. The plastic rail endcap should be towards the tailgate while the rail flange and foam, shims and brackets towards the outside of the truck bed. Install the rails by first guiding the Handle Assembly into the open channel of the rail and then sliding the rail against the blanket guide on the canister. Attach the rail to the canister using the rail bolt, lock washer and flat washer through the blanket guide and into the bottom of the rail.

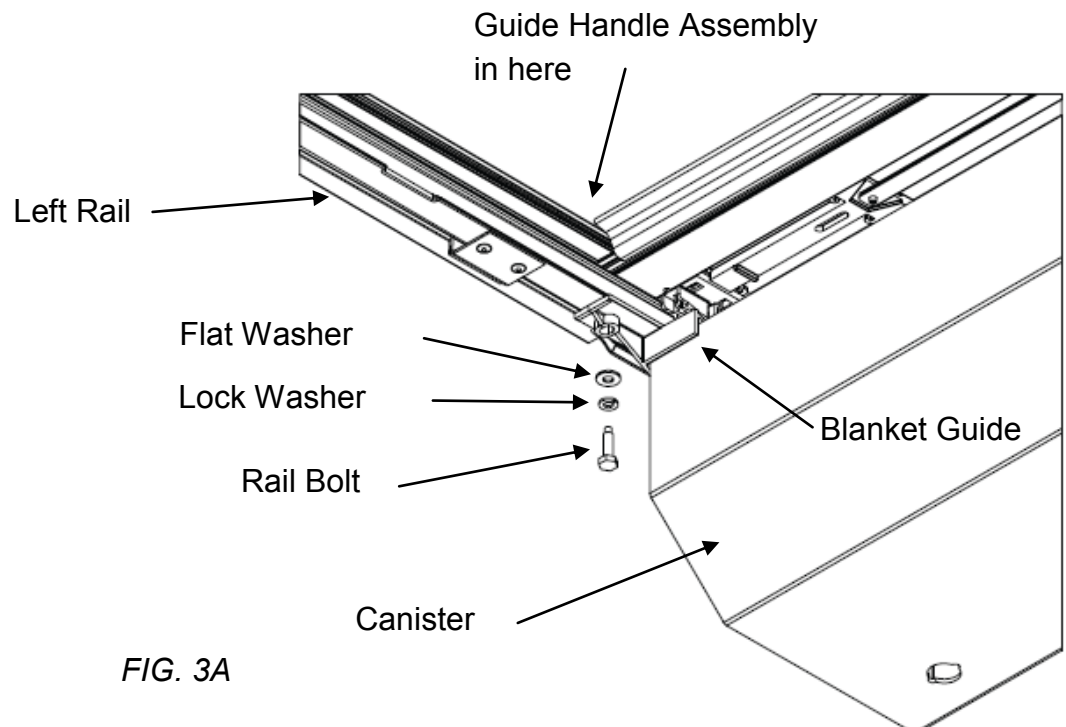


FIG. 3A

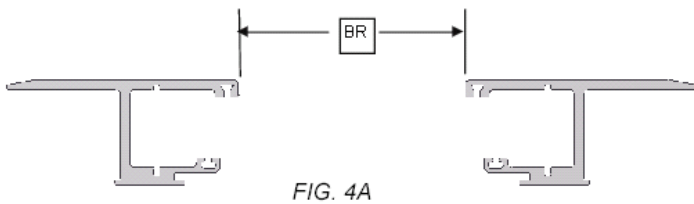
The Rail shown is for REFERENCE and may not exactly match your particular Rail geometry.

STEP 4: INSTALLING THE CLAMPS

Secure the rails to the truck bed by installing two clamp assemblies per rail. Slide the Clamp Grip onto the Rail at the Clamp Relief and then slide it towards the Rail Bracket and Shim (Fig 4E and 4F). Then assemble the rest of the clamp parts as shown below (Fig 4C and 4D).

Before tightening the rail clamps set the Rail End Caps about 1/16 inch from the tailgate. This space will allow for overstroke when closing the tailgate. Once everything is square tighten the Rail clamps completely but **do NOT tighten over 120 inch-pounds!**

Finally, check for proper spacing by measuring between the rails at the canister and the tailgate end of the rails (Fig 4A). The measurements should be equal to or less than those in Fig 4B. The Rail Brackets and Shims have been pre-installed to achieve the proper Between the Rail dimension (BR) when placed on an average factory truck bed. However, not all truck beds are average dimensionally and some have optional plastic caps or over the rail spray-in liners.



Part number is on the serial number label in the upper left corner of the canister (looking from tailgate).

PART NUMBER	BETWEEN RAILS (BR)
RX and RL2003	58 13/16
RX and RL2004	58 13/16
RX and RL2032	58 9/16
RX and RL2095	58 9/16
RX and RL2096	58 9/16

Another way to ensure proper fit is to check the side to side play of the handle assembly at the canister and at the tailgate end of the rails. There should be, at the minimum, enough play to allow the cover to move freely with no drag and at a maximum 1/8 inch per side. More than 1/8 inch per side may result in the cover opening unintentionally and in severe cases it may fall between the rail tracks and damage the cover. **There are shims on the brackets that can be removed if the unit is too tight and shims in the hardware pack that can be added if too loose.**

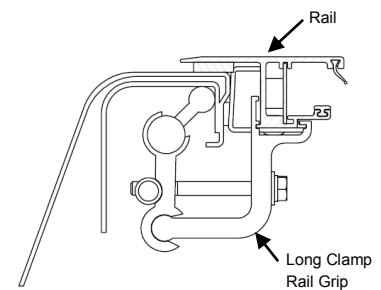
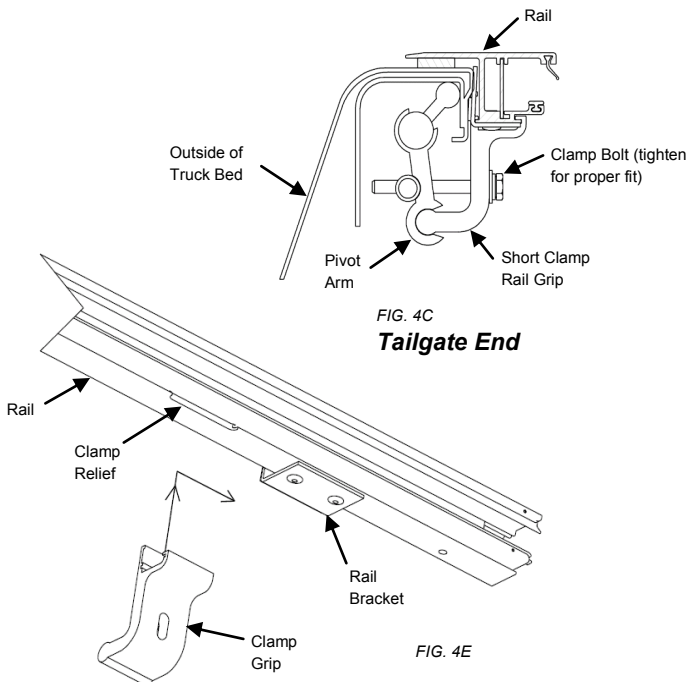
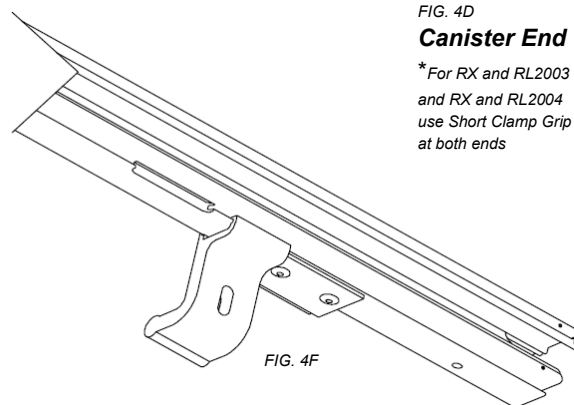
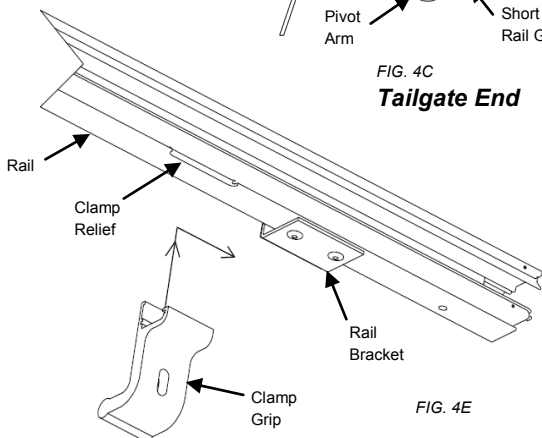


FIG. 4D
Canister End

*For RX and RL2003 and RX and RL2004 use Short Clamp Grip at both ends



STEP 5: ATTACH THE PULL STRAP

Attach your pull strap to either of the clamps (left or right-hand side) at the tailgate end of the rails by looping it through the assembly and pressing the two velcro strips together. This will ensure the pull strap will always be in easy reach when trying to close the cover.

STEP 6: LUBRICATING & PLACING THE SWEEP SEALS

Locate the sweep seals (rubber weather strips) on the rails. Open the provided 303 brand protectant sponge pack (find it adhered to the underside of the top cover) and wipe the underside of the sweep seal and the top of the wear strip.

Extend the cover to the tailgate. Use an Allen wrench if needed to carefully draw out the sweep seal (seal should be angled outwards toward the cover – not rolled in toward the bed rail). (Fig. 6A)

Proper care and placement of the sweep seal will ensure the smooth operation of the cover. Alcohol, petroleum based or silicon-based UV Protectants such as Armor-All® should be avoided and ARE NOT recommended for our covers.

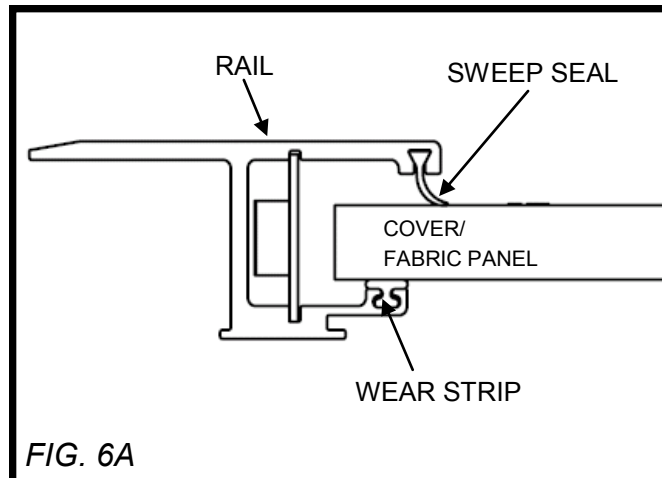


FIG. 6A

STEP 7: INSTALLING DRAIN TUBES

First, ensure that the Foam Washer is in place on the Drain Fitting as this washer will help prevent water leakage. Next, test fit the drain tube to determine the length you want to trim it. Always caution on the long side. Trim the end that will be inserted through the truck bed using the wire cutters or a utility knife.

With the cover *opened*, insert the drain tube fittings into the pre-drilled holes on the underside of the canister by pushing them in place from under the canister. Drain Fitting should click into place.

Place the other end of the drain tube through the plastic/rubber access port or through the pre-drilled holes in the floor or the front wall of the truck bed. If routing through the front wall, ensure that the drain tubes are inserted and directed down so water flows out of the truck.

To remove the drain tubes reach under the canister, grab the drain tube fitting and turn it while applying light downward pressure. When the retaining tabs align with notches in the bottom of the canister the Drain Tube and Fitting will drop out.

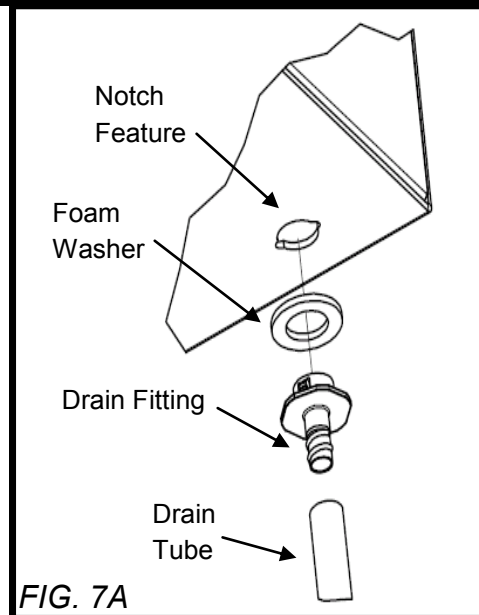


FIG. 7A

STEP 8: ATTACHING TOP COVER AND VELCRO STRAP

HARDWARE



BLACK TOP COVER SCREW x 4



4" VELCRO STRIP

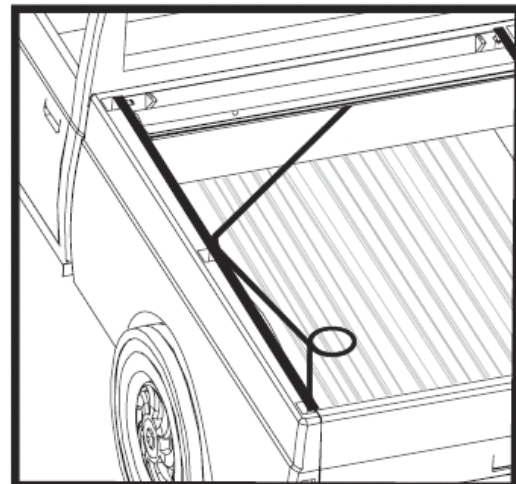
Place the Top Cover on the canister and install with the four black Top Cover screws through the top cover endcaps and into the panel nuts on the canister flanges.

Retract the cover to the fully open position.

Attach the 4" Velcro strip onto the Velcro strip already attached to the pull strap.

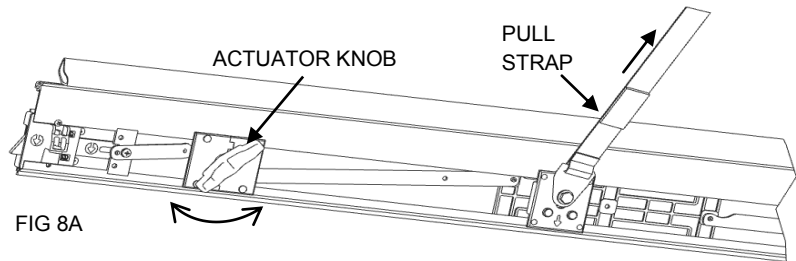
Pull the pull strap over to the driver's side rail and remove the tape from the 4" Velcro strip.

Then apply the Velcro strip onto the underside of the rail at your desired position. This will hold the pull strap off of the floor and out of the way when cargo is being stored in the truck bed.



OPERATING INSTRUCTIONS

1. To open the cover, turn the actuator knob clockwise 90° until it clicks in the open position. This retracts the latches into the handle and the cover is free to roll open into the canister. A tug on the pull strap will release the latch and allow the cover to lock into the rails.
2. To latch the cover in one of the mid-range positions, pull it back just beyond the position desired and allow the cover to retract until it latches into place. Latching positions are located every 12 inches along the rails. The clicking sound is the spring-loaded latches mounted inside the handle. The latches are designed to bypass the latching positions as the cover is being closed and to stop the cover as it is being retracted.
3. To close the cover, pull on the strap to draw it back toward the tailgate. When it is within easy reach, grasp the handle by the hand grip and pull the cover to the latching position against the tailgate.



MAINTENANCE

To help keep your Retractable Tonneau Cover looking it's best, we recommend washing it the same as caring for your truck finish. However you should not wax your cover. Using a citrus-based vinyl cleaner and protectant such as 303 brand protectant will keep your cover looking like new.

To assure quiet, smooth operation, periodically apply a generous amount of the same 303 brand protectant to a rag and wipe out the inside of the rails the underside of the sweep seal and the top of the wear strip. Repeat as needed until these components are cleaned of debris and well lubricated.

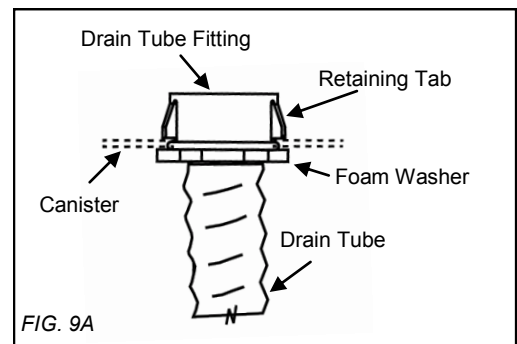
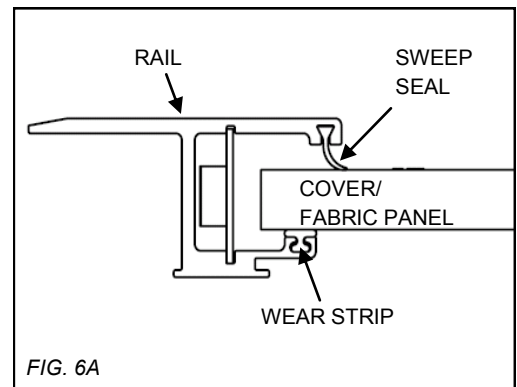
Ensure proper placement of the sweep seal as shown in step 7. Re-apply protectant/lubricant if the cover begins squeaking or sticking during use. (FIG. 6A)

Alcohol, petroleum based or silicon-based cleaners such as Armor-All® should be avoided and ARE NOT recommended for our covers.

It is important to open and close the cover regularly; the spring that operates the cover is self-lubricated and regular use assures that it stays in proper working condition.

Periodically remove the Top Cover and clean out the inside of the canister.

Drain tubes may become clogged overtime and should be removed and cleaned. To remove the drain tubes reach under the canister, grab the drain tube fitting and turn it while applying light downward pressure. When the retaining tabs align with notches in the bottom of the canister the Drain Tube and Fitting will drop out. (FIG. 9A and FIG. 7A)





CONGRATULATIONS!

On your purchase of a Ricochet by LEER Retractable tonneau. We are confident that you will get many years of trouble free service from this accessory on your truck. Please take a moment to fill out the warranty registration form to activate warranty coverage of your truck bed cover.

PRODUCT WARRANTY

LEER, a Division of Truck Accessory Group, LLC, warrants this Ricochet by LEER Retractable tonneau to the original owner (First Purchaser) as follows:

FOR A PERIOD OF 3 YEARS FROM THE DATE THE UNIT IS DELIVERED TO THE FIRST PURCHASER:

- Delamination of the Fabric Panel Assembly
- Failure of the Continuous Tension Spring
- All hardware and components

ITEMS NOT COVERED UNDER WARRANTY FOR ANY PERIOD OF TIME:

- Rips, tears, or discoloration of the Fabric Panel material
- Seals and gaskets
- Water intrusion from any source
- Dealer and/or purchaser installed parts and accessories

CERTAIN CONDITIONS WILL VOID ALL WARRANTY.

These conditions include:

- Use for any purpose other than normal private use including rental and promotion
- Altering the retractable truck bed cover in any manner without written approval of LEER
- Misuse, negligence or accident
- Installation of any part or accessory without written approval from LEER
- Failure to register this warranty with LEER within fourteen (14) days from date of delivery

CLAIMS:

If you have any warranty issues, please contact LEER Technical Support at (866) 419-4932 with the original Bill of Sale, the Unit Model and Serial Number. After determining the validity of the warranty claim, LEER will ship a replacement part prepaid to the customer. Labor costs to replace defective parts are the responsibility of the purchaser.

REGISTRATION:

Registering your Ricochet by LEER Retractable tonneau is an important step to ensuring you get the best possible ownership experience. At the same time, we would like to better understand how your truck fits into your life. Feedback from Ricochet by LEER Retractable tonneau owners helps us design products that better fit your needs. REGISTER TODAY AT:

www.leer.com/leer-register-your-product

CONDITIONS AND LIMITATIONS

This warranty is subject to certain conditions and limitations including, but not limited to, the following:

- Any part of a Ricochet by LEER Retractable tonneau that is found to be defective under the terms of this warranty will be repaired or replaced using either new or reconditioned parts at the discretion of LEER.
- In determining what constitutes a failure under the terms of this warranty the decision of LEER shall be final.
- This warranty is extended to the original purchaser only and is not transferable to subsequent purchasers.
- LEER does not accept any responsibility in connection with the installation of any of its products by its dealers or agents.
- LEER does not undertake responsibility to any purchaser for warranty express or implied by any of its dealers, distributors or agents beyond that which is contained herein.
- Without regard to an alleged defect of its products LEER under any circumstances does not assume responsibility for loss of time, inconvenience, revenue, or other consequential damage including, but not limited to, expenses for telephone, food, lodging, travel, loss or damage to the vehicle the products are installed on or loss or damage to personal property of the purchaser or user of the products.
- LEER reserves the right to make changes in the design of, improvements to, or warranty of its products without imposing any obligation upon itself to provide the same for any products theretofore manufactured.

Some jurisdictions do not allow limitations on or exclusions to warranties, therefore some of the exclusions may not apply to you. This warranty affords you specific legal rights. You may have other legal rights that may vary from jurisdiction to jurisdiction.

