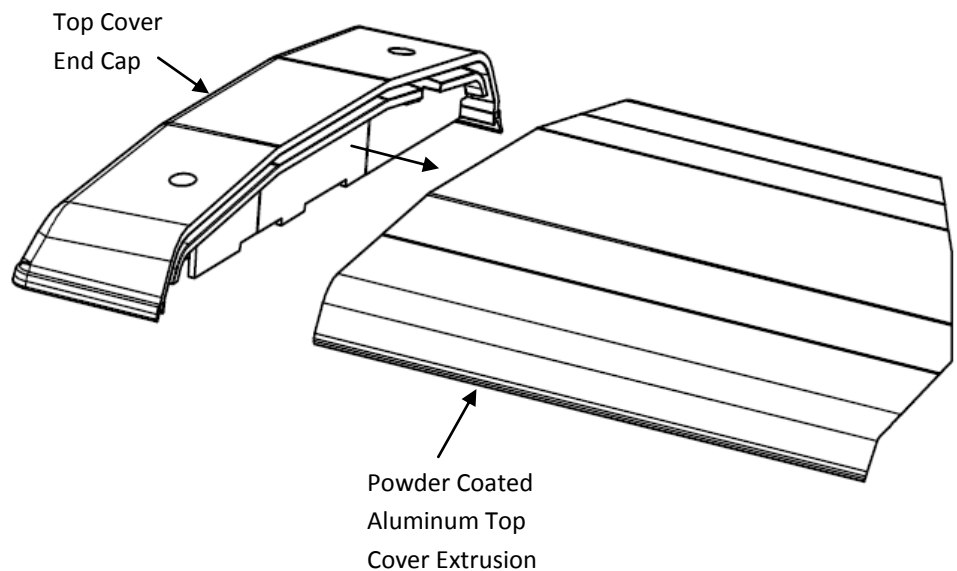


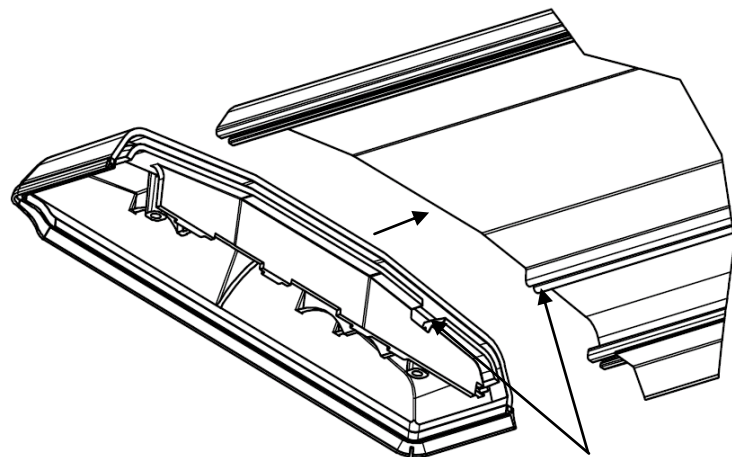
# RICOCHET



## DODGE TOP COVER ASSEMBLY



Because of the length restrictions of the box your Top Cover had to be shipped with 1 End Cap removed. Please assembly your Top Cover as shown before installing on the canister.



Align the notch on the End Cap with corresponding features on the Top Cover Extrusion.

(RLD1-TC-1511)